



**MULTI
PURPOSE
SERIES**

MPS12-65

**VALVE REGULATED LEAD ACID BATTERY
FOR STANDBY POWER APPLICATIONS**

**12V 65 AH @ 20 HR Rate,
12V 210 Watts/Cell @ 15 Min Rate**



FEATURES

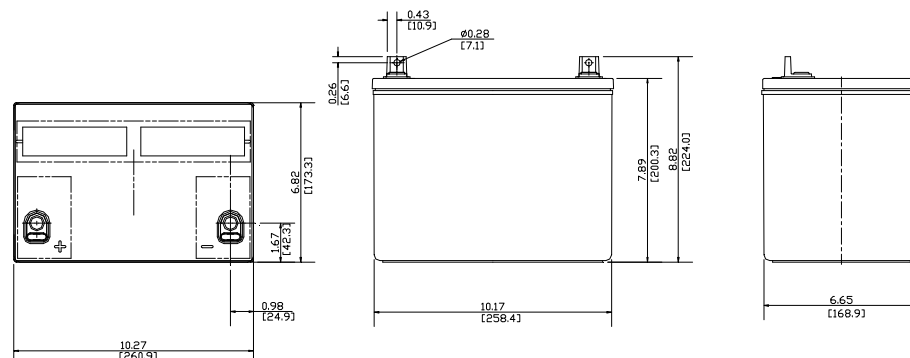
APPLICATIONS

- Telecommunications
- General Purpose Applications
- Uninterrupted Power Supply (UPS)
- Other Float Applications

- Design life: 10 year
- Robust plate for extended life.
- Flame-arresting one-way pressure-relief vent for safety and long life.
- Absorbent Glass Mat (AGM) technology for efficient gas recombination of up to 99% and freedom from electrolyte maintenance.
- Multicell design for economy of installation and maintenance.
- Computer designed lead, low Calcium alloy grid for minimal gassing and ease of recycling.
- UL-recognized component.
- Can be used in upright, side, or end mounting orientation.
- Not restricted for air transport – Complies with IATA/ICAO Special Provision A67.
- Not restricted for surface transport – classified as non-hazardous material as related to DOT-CFR Title 49 parts 171-189
- Not restricted for water transport – classified as non-hazardous material per IMDG Amendment 27

SPECIFICATIONS

Cells Per Unit	Voltage Per Unit	Weight	IEC Rating (C10, 1.80V @ 20°C)	Capacity (C20, 1.75V @ 25°C)	Watts/Cell @ 15min	Resistance
6	12.98V	21 Kg	57.8 Ah	65 Ah	210	8 (mΩ)



*All dimensions in inches and (millimeters). All dimensions are for reference only. Contact a C&D Representative for complete dimensional information.

SPECIFICATIONS

Operating Temperature Range with temperature compensation	Discharge: -40°F (-40°C) to +160°F (71°C). Charge: -10°F (-23°C) to +140°F (60°C)
Recommended Operating Temperature Range	+74°F (23°C) to +80°F (27°C).
Floating Charging Voltage	13.65 ± 0.15 VDC/unit Average at 77°F (25°C).
Recommended Maximum Charging Current Limit	C/5 amperes @ 20 hr. rate.
Equalization and Cycle Service Charging Voltage	14.4 to 14.8 VDC/unit Average at 77°F (25°C).
Maximum AC Ripple (Charger)	0.5% RMS or 1.5% P-P of float charge voltage recommended for best results. Maximum voltage allowed = 1.4% RMS (4% P-P). Maximum current allowed = 5.10 amperes RMS (C/20).
Self Discharge	MPS batteries may be stored for up to 6 months at 77°F (25°C) and then a freshening charge is required. For higher temperatures the time interval will be shorter.
Accessories	Inter unit connectors, racks and cabinet systems are available.
Terminal	L-type terminal with 0.28" clearance hole to accept 0.25" (6mm) bolt.
Container and Cover Materials	PP (UL94 HB)

Constant Power Discharge Ratings Watts Per Cell @ 77°F (25°C)

Operating Time to End Point Voltage

EPV	5 min	10 min	15 min	20 min	25 min	30 min	45 min	60 min	90 min	2 hr	3 hr	4 hr	5 hr	8 hr	10 hr	12 hr	20 hr
1.85	245.0	198.3	164.0	141.3	126.0	111.0	85.3	70.0	52.0	41.9	30.4	24.2	20.3	13.7	11.4	9.7	6.2
1.80	325.0	238.3	189.3	159.0	139.0	122.3	92.7	75.0	55.7	44.2	32.2	25.6	21.3	14.4	11.8	10.1	6.4
1.75	350.0	251.0	198.5	166.7	144.0	126.7	95.8	77.2	56.7	45.1	32.7	26.1	21.7	14.6	12.0	10.2	6.5
1.70	366.7	256.7	202.0	168.3	145.0	128.2	97.0	78.5	57.7								
1.67	383.3	266.7	210.0	173.3	150.0	131.3	98.3	79.5	58.7								
1.65	384.3	267.7	211.0	174.3	151.0	132.3	99.5	80.3	59.2								

Constant Current Discharge Ratings - Amperes @ 77°F (25°C)

Operating Time to End Point Voltage

EPV	5 min	10 min	15 min	30 min	60 min	90 min	2 hr	3 hr	4 hr	5 hr	6 hr	7 hr	8 hr	10 hr	12 hr	20 hr	24 hr
1.90	85.0	81.7	72.0	49.7	31.5	23.4	18.9	13.9	11.2	9.3	8.0	7.1	6.3	5.2	4.5	2.8	2.4
1.85	129.0	103.3	85.0	57.1	35.8	26.5	21.4	15.4	12.3	10.3	8.9	7.8	6.9	5.7	4.9	3.1	2.6
1.80	173.0	125.1	99.0	63.0	38.3	28.4	22.6	16.4	13.0	10.8	9.3	8.2	7.2	6.0	5.1	3.2	2.7
1.75	189.0	132.9	104.0	65.5	39.6	29.2	23.2	16.7	13.2	11.0	9.4	8.3	7.4	6.0	5.1	3.3	2.8

Note: Batteries to be mounted with 0.5 in. (1.25 cm) spacing minimum and free air ventilation. Specifications subject to change without notification.